



External air intake



33cm Logs



1.8kg wood per hour



Easy to remove ash tray



Optional Heat Bank available



## Andorra Exclusive

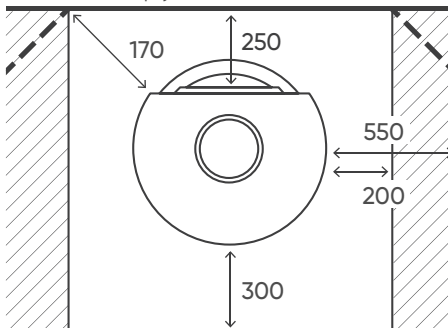
National Certificate of Compliance No; H794/1214

Tested and complies with AS/NZS 4012:2014, AS/NZS 4013:2014

Andorra Exclusive provides ultra-low wood consumption yet efficient clean burning, raised 50 cm above the floor on an elegant pedestal base. It is Euro Fireplaces most popular model.

### Andorra Exclusive Clearances

Tested to comply with AS/NZS 2918:2018



<b>Capacity</b>	240sqm
<b>Efficiency</b>	Aus 67% Eu 82%
<b>Emissions</b>	0.8g
<b>Wood Usage</b>	1.8kg/hr
<b>Weight</b>	110kg
<b>H/W/D</b>	1190/538/538
<b>Heat Bank</b>	Optional 20kg
<b>Ember Retention</b>	WO/HB - 6 hr+ W/HB - 7 hr+